

## CONTENTS

---

<b>A</b>	<b>GENERAL INFORMATION.....</b>	<b>Page 2</b>
A1	PRODUCT DESCRIPTION .....	Page 3
A2	TECHNICAL INFORMATION .....	Page 3
A3	TRANSPORTATION .....	Page 4
A4	UNPACKING .....	Page 4
<b>B</b>	<b>INSTALLATION .....</b>	<b>Page 4</b>
<b>C</b>	<b>SAFETY INSTRUCTIONS.....</b>	<b>Page 5</b>
<b>D</b>	<b>OPERATION .....</b>	<b>Page 6</b>
<b>E</b>	<b>CLEANING &amp; MAINTENANCE.....</b>	<b>Page 7</b>
<b>F</b>	<b>TROUBLESHOOTING .....</b>	<b>Page 8</b>
<b>G</b>	<b>SPARE PART LIST- EXPLODING DRAWING .....</b>	<b>Page 9</b>
<b>H</b>	<b>ELECTRIC CIRCUIT SCHEMA .....</b>	<b>Page 15</b>

## A GENERAL INFORMATION

---

Before installing the appliance, read operation and maintenance instructions carefully. Wrong installation and part changing may damage the product or may cause injury on people. These are not in our company's responsibility to damage the appliance intentionally, negligence, detriments because of disobeying instructions and regulations, wrong connections. Unauthorized intervention to appliance invalidates the warranty.

1. This instruction manual should be kept in a safe place for future reference.
2. **Installation should be made in accordance with ordinances and security rules of that country by a qualified service personnel.**
3. This appliance has to be used by trained person.
4. Please turn off the appliance immediately in the event of malfunction or failure. The appliance should be repaired only by authorized service personnel. Please demand original spare part.

# ELECTRIC COOKER / HOT PLATE

## A1 PRODUCT DESCRIPTION

\*The Professional Electric Cooker (with Hot Plate), that provides high efficiency has been designed to be used in industrial kitchens.

Product Code	Dimensions (mm)	Weight (kg)	Packaging Dimensions (mm)
<b>EMP.7KE010</b>	400x730x285	20	480x800x590
<b>EMP.7KE020</b>	800x730x285	41	830x800x590
<b>EMP.7KE030</b>	1200x730x285	84	1230x800x590
<b>EMP.9KE010</b>	400x900x285	32	430x1000x590
<b>EMP.9KE020</b>	800x900x285	75	830x1000x590
<b>EMP.9KE030</b>	1200x900x285	122	1230x1000x590

## A2 TECHNICAL INFORMATION

Product Code	Model	Electric Inlet	Cable (mm <sup>2</sup> )	Power (KW)
<b>EMP.7KE010</b>	Electric Cooker/2 Hot Plate	200 V. AC N PE	3x2,5	4
<b>EMP.7KE020</b>	Electric Cooker/4 Hot Plate	400 V. AC 3N PE	5x2,5	8
<b>EMP.7KE030</b>	Electric Cooker/6 Hot Plate	400 V. AC 3N PE	5x4	12
<b>EMP.9KE010</b>	Electric Cooker/2 Hot Plate	400 V. AC 3N PE	5x2,5	8
<b>EMP.9KE020</b>	Electric Cooker/4 Hot Plate	400 V. AC 3N PE	5x4	16
<b>EMP.9KE030</b>	Electric Cooker/6 Hot Plate	400 V. AC 3N PE	5x6	24

### **A3      TRANSPORTATION**

---

\* This appliance can not be moved by hand from area to area. Therefore Use a hauling truck (forklift or pallet jack) to move the appliance. ( The lifting arms of the of forklift or pallet jack must reach up to more than half part of t appliance underneath.)

### **A4      UNPACKING**

---

\*Please unpack the package according to the security codes and ordinances of current country and get rid from the pack.Parts which contacts with food are produced by stainless steel.All plastic parts are marked by material's symbol.

\*Please check that all the parts of appliance had come completely and if they are damaged or not during the shipping.

### **B        INSTALLATION**


---

\*Please place the product to straight and sturdy ground,please take necessary steps against possibility of overturn.

\*Technician who will serve for installation and service for the appliance must be professional on this subject and must have installation and service licenses by the company.

\*Connection to Electric Power Supply must be done by authorized person.

\*Please be sure that the voltage connected to appliance must be equal with the voltage which is on appliance's label.

 This appliance must be connected to an earthed outlet in accordance with safety rules and standards.

\*Appliance's earthing must be connected to earthing line on panel which is nearest to electric installation.









\*Connection to the main fuse and leak current fuse must be done in accordance with the current regulations.

\*If the location where electric ranges placed is covered with nonflammable heat insulation material,the distance between them must be 5 cm.Otherwise it should be at least 20 cm.The appliance shouldn't be operated under chimney hood.

## ELECTRIC COOKER / HOT PLATE

### C SAFETY INSTRUCTIONS

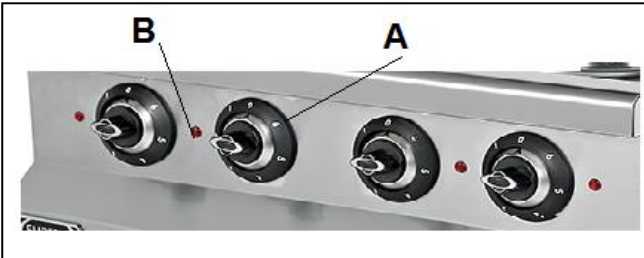
---

-  \*Do not use the appliance in insufficient lighted place.
-  \*Do not touch the moving attachments while the appliance operates.
-  \*Do not install the appliance in the presence of flammable or explosive materials.
-  \*Do not operate the appliance when the machine is empty.
-  \*Do not load so less or more than appliance's capacity.
-  \*Do not attempt to use the appliance without suitable protective equipments.
-  \*Because of any reason if there is a fire or flame flare where the appliance is used, turn off all gas valves and electric contactor switch quickly and use fire extinguisher. Never use water to extinguish the fire.
-  \*All the damages because of not having earthing connection will not be on warranty.

## D OPERATION

---

### \*Control Panel;



A : Heat setting button

B : Indicator lamp

### \*Operating;

- Plug in the appliance.
- Put the pot that wanted cook or heat on the hot plate.
- Adjust heat setting buttons to desired temperature.
- The range reaches the desired temperature and starts to operate.
- When the range's temperature reaches to indicator temperature, the buttons on indicator lamp become off due to having thermostat.
- When the range's temperature is reduced, indicator lamp signals and range's temperature reaches to desired temperature again.
- Range's heaters can be controlled by stage switch separately.
- After operation is completed, switch heat setting buttons to (0) position and unplug the appliance.

## ELECTRIC COOKER / HOT PLATE

### **E CLEANING & MAINTENANCE**

---

#### ➤ **CLEANING AND MAINTENANCE AFTER EVERY USE**

- Always turn off the appliance and disconnect from the power supply before cleaning.
- Clean the outer surface of the appliance with a wet cloth and chrome shiner.
- Do not use abrasive cleaning chemicals as these can leave harmful residues.
- Do not clean the appliance by spraying water directly, otherwise electric motor may get damaged.

#### ➤ **PERIODIC CLEANING AND MAINTENANCE**

- Maintenance should be done by qualified person.
- Get the periodic maintenance of the appliance once in every 15 days.
- Check the heater's electric connection in periodic times.
- Maintenance of the appliance's contactor should be done by compressed air according to frequency of use.



# ELECTRIC COOKER / HOT PLATE

## F TROUBLESHOOTING

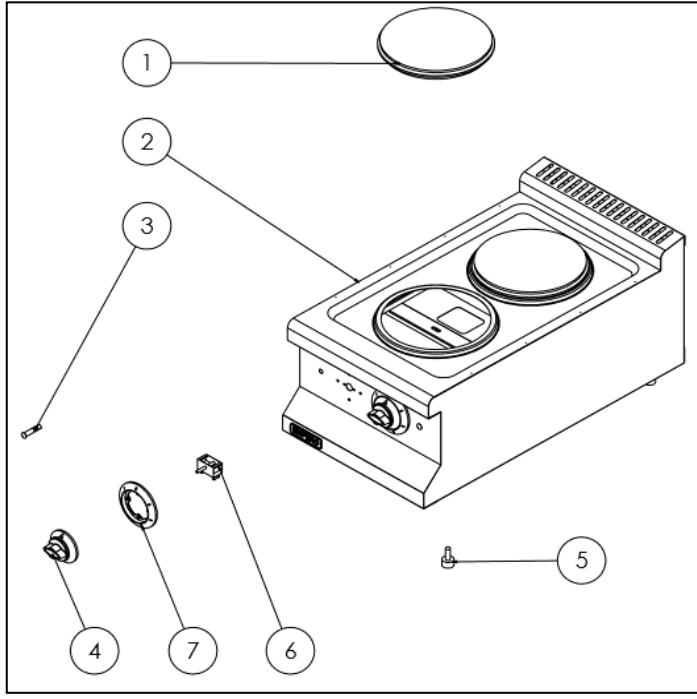
<b>THE APPLIANCE DOESN'T OPERATE</b>	<ol style="list-style-type: none"><li>1. Check if the appliance is plugged in.</li><li>2. Check the electrical connections and voltage.</li></ol>
<b>THE APPLIANCE DOESN'T COOK WELL</b>	<ol style="list-style-type: none"><li>1. Check if it is operated at required heat or not.</li></ol>
<b>THE APPLIANCE STOPPED</b>	<ol style="list-style-type: none"><li>1. The appliance can stop due to low voltage. In this situation check the voltage.</li></ol>
<ul style="list-style-type: none"><li>• If cooking at electric ranges with cupboard is not done at suitable quality</li><li>• If any function of security doesn't work<ul style="list-style-type: none"><li>➤ Do not use the appliance.</li></ul></li></ul>	

**\*If these problems are still going on, contact with our authorized services.**



# ELECTRIC COOKER / HOT PLATE

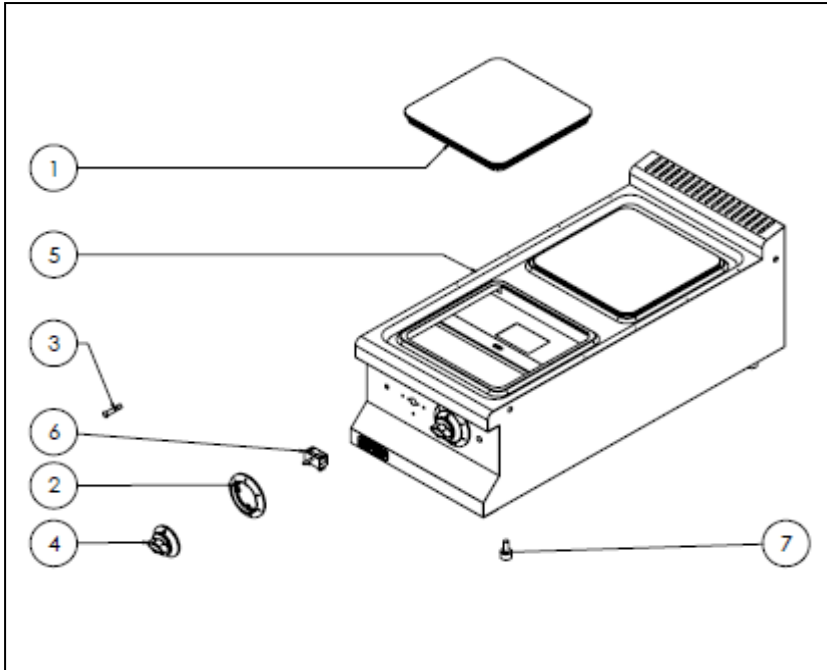
## G SPARE PART LIST-EXPLODING DRAWING



EMP.7KE010

PRODUCT CODE:EMP.7KE010		
NO	PRODUCT NAME	P.CODE
1	HOTPLATE 2 KW ø225	Y.EMP.7KE010.001
2	BASE FRAME	Y.EMP.7KE010.002
3	WARNING LAMP	Y.EMP.7KE010.003
4	BUTTON	Y.EMP.7KE010.004
5	FEET	Y.EMP.7KE010.005
6	0-6 SWITCH	Y.EMP.7KE010.006
7	BUTTON BUFFER	Y.EMP.7KE010.007

## G SPARE PART LIST-EXPLODING DRAWING



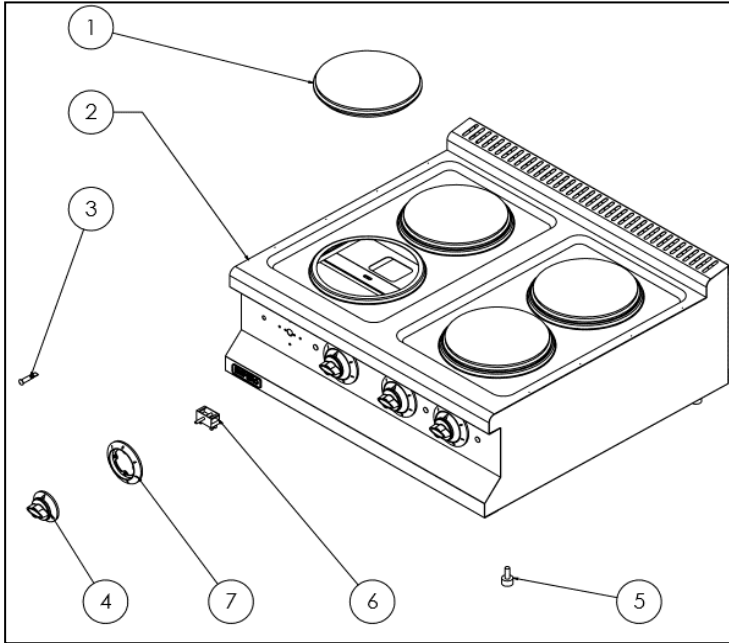
EMP.9KE010

### PRODUCT CODE: EMP.9KE010

NO	PRODUCT NAME	P.CODE
1	HOTPLATE 4KW	Y.EMP.9KE010.001
2	BUTTON BUFFER	Y.EMP.9KE010.002
3	WARNING LAMP	Y.EMP.9KE010.003
4	BUTTON	Y.EMP.9KE010.004
5	BASE FRAME	Y.EMP.9KE010.005
6	SWITCH 0-6	Y.EMP.9KE010.006
7	FEET	Y.EMP.9KE010.007

# ELECTRIC COOKER / HOT PLATE

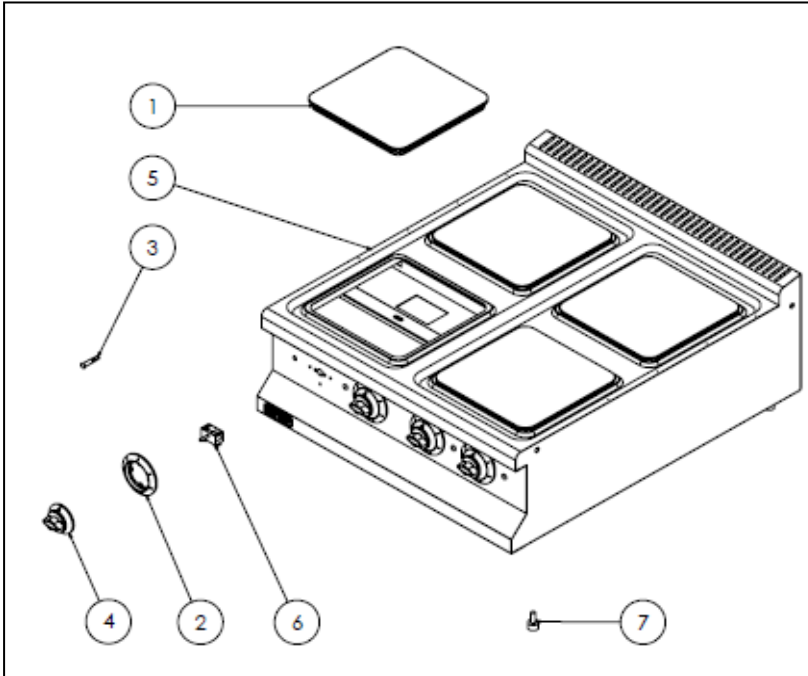
## G SPARE PART LIST-EXPLODING DRAWING



**PRODUCT CODE:EMP.7KE020**

NO	PRODUCT NAME	P.CODE
1	HOTPLATE 2 KW $\varnothing$ 225	Y.EMP.7KE020.001
2	BASE FRAME	Y.EMP.7KE020.002
3	WARNING LAMP	Y.EMP.7KE020.003
4	BUTTON	Y.EMP.7KE020.004
5	FEET	Y.EMP.7KE020.005
6	0-6 SWITCH	Y.EMP.7KE020.006
7	BUTTON BUFFER	Y.EMP.7KE020.007

## G SPARE PART LIST-EXPLODING DRAWING

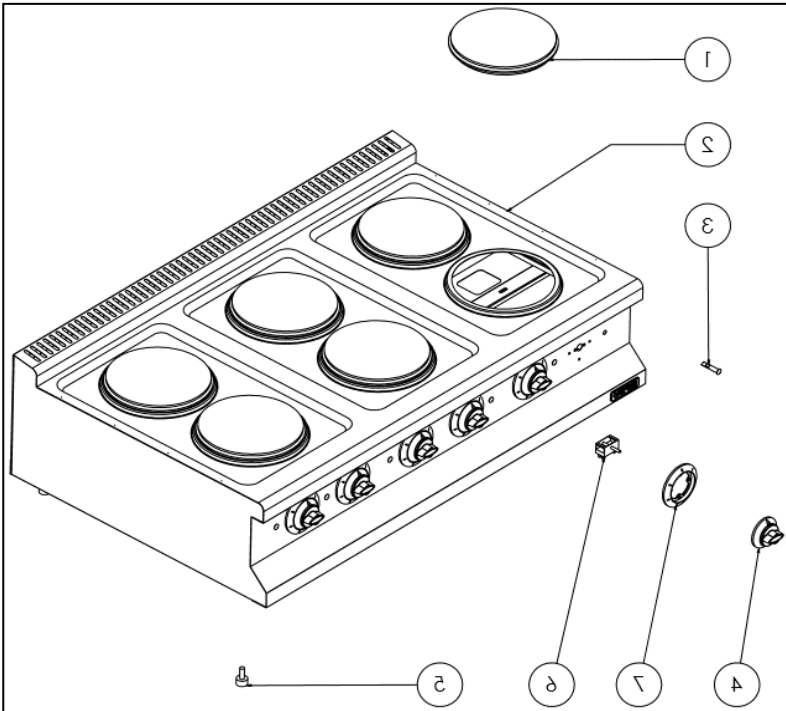


### PRODUCT CODE: EMP.9KE020

NO	PRODUCT NAME	P.CODE
1	HOTPLATE 4KW	Y.EMP.9KE020.001
2	BUTTON BUFFER	Y.EMP.9KE020.002
3	WARNING LAMP	Y.EMP.9KE020.003
4	BUTTON	Y.EMP.9KE020.004
5	BASE FRAME	Y.EMP.9KE020.005
6	SWITCH 0-6	Y.EMP.9KE020.006
7	FEET	Y.EMP.9KE020.007

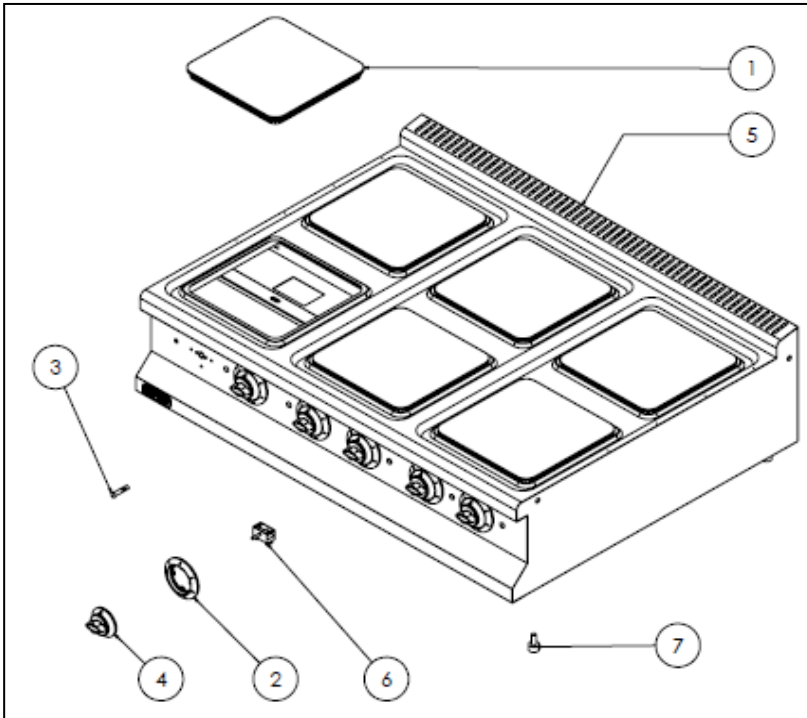
# ELECTRIC COOKER / HOT PLATE

## G SPARE PART LIST-EXPLODING DRAWING



PRODUCT CODE:EMP.7KE030		
NO	PRODUCT NAME	P.CODE
1	HOTPLATE 2 KW ø225	Y.EMP.7KE030.001
2	BASE FRAME	Y.EMP.7KE030.002
3	WARNING LAMP	Y.EMP.7KE030.003
4	BUTTON	Y.EMP.7KE030.004
5	FEET	Y.EMP.7KE030.005
6	0-6 SWITCH	Y.EMP.7KE030.006
7	BUTTON BUFFER	Y.EMP.7KE030.007

## G SPARE PART LIST-EXPLODING DRAWING

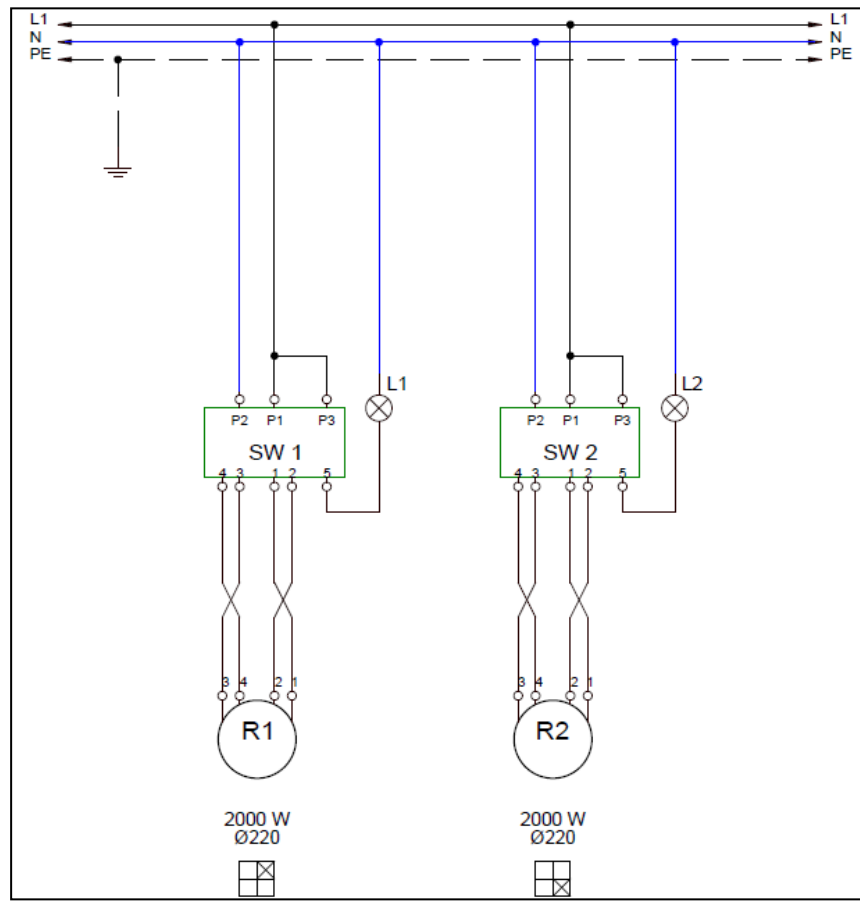


### PRODUCT CODE: EMP.9KE030

NO	PRODUCT NAME	P.CODE
1	HOTPLATE 4KW	Y.EMP.9KE030.001
2	BUTTON BUFFER	Y.EMP.9KE030.002
3	WARNING LAMP	Y.EMP.9KE030.003
4	BUTTON	Y.EMP.9KE030.004
5	BASE FRAME	Y.EMP.9KE030.005
6	SWITCH 0-6	Y.EMP.9KE030.006
7	FEET	Y.EMP.9KE030.007

# ELECTRIC COOKER / HOT PLATE

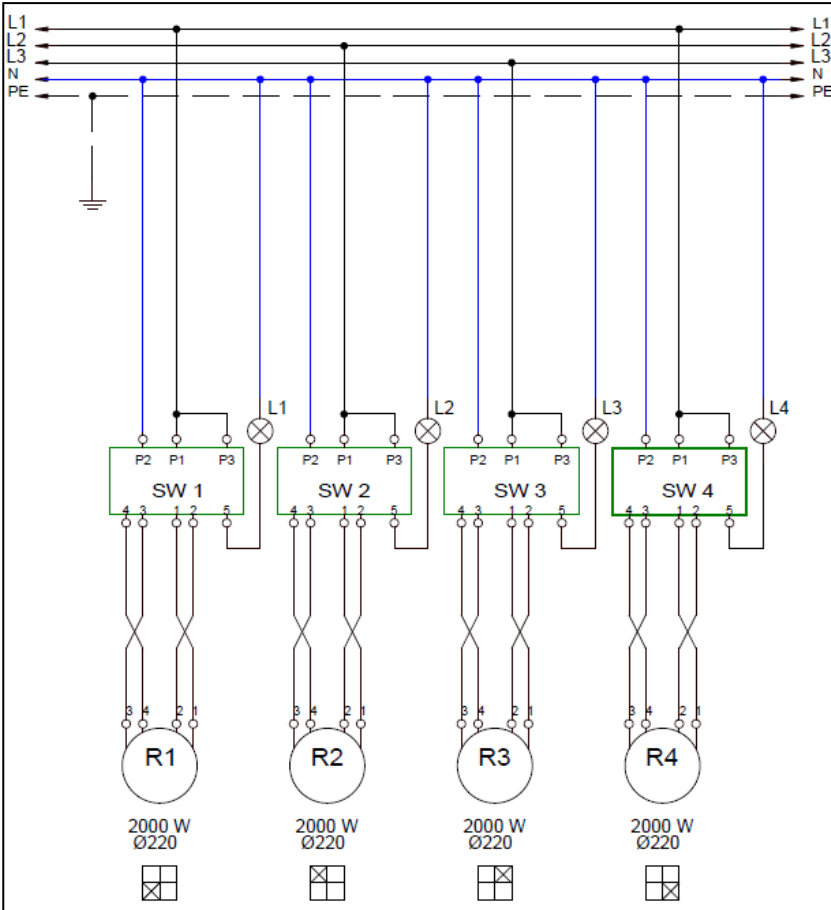
## H ELECTRIC CIRCUIT SCHEMA



EMP.7KE010

SW1.SW2	R1.R2	L1.L2
6 Gradual Switch	Plate resistance 2000 W 230V	Signal Lamp

## H ELECTRIC CIRCUIT SCHEMA



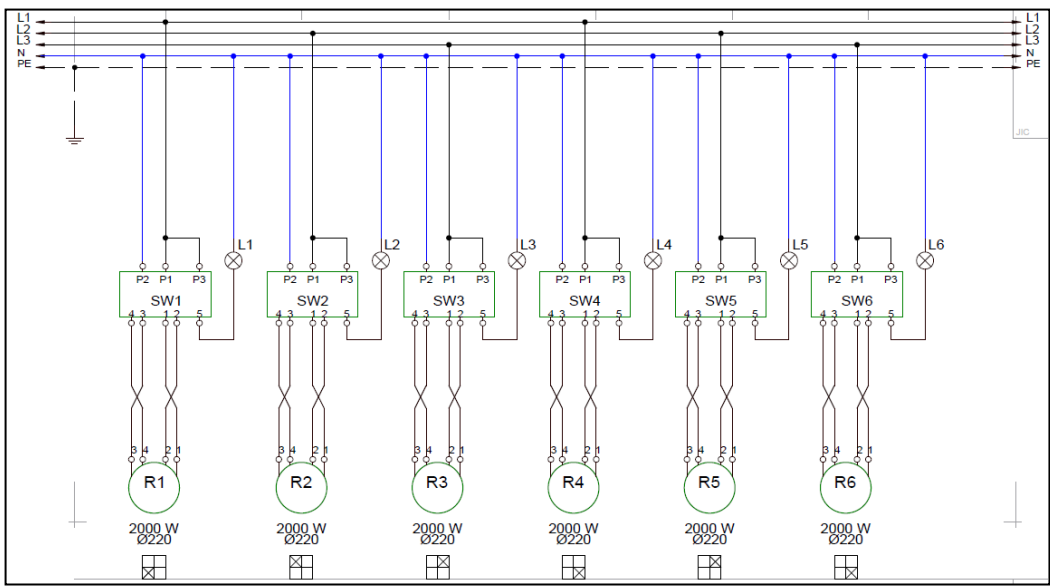
EMP.7KE020

SW1.SW2.SW3.SW4	R1.R2.R3.R4	L1.L2.L3.L4
6 Gradual Switch	Plate resistance 2000 W 230V	Switch Signal Lamp



# ELECTRIC COOKER / HOT PLATE

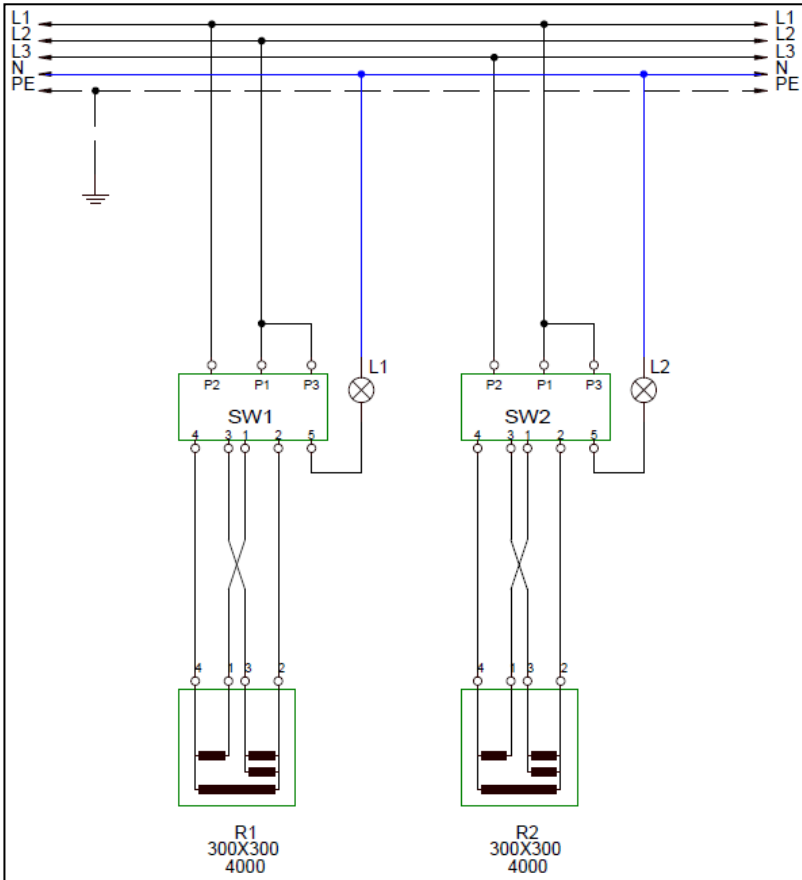
## H ELECTRIC CIRCUIT SCHEMA



EMP.7KE030

R1.R2.R3.R4	R5.R6	SW1.SW2. SW3.SW4	SW5.SW6	L1.L2.L3.L4	L5.L6
Plate resistance 2000 W 230V	Plate resistance 2000 W 230V	6 Gradual Switch	6 Gradual Switch	Signal Lamp	Signal Lamp

## H ELECTRIC CIRCUIT SCHEMA

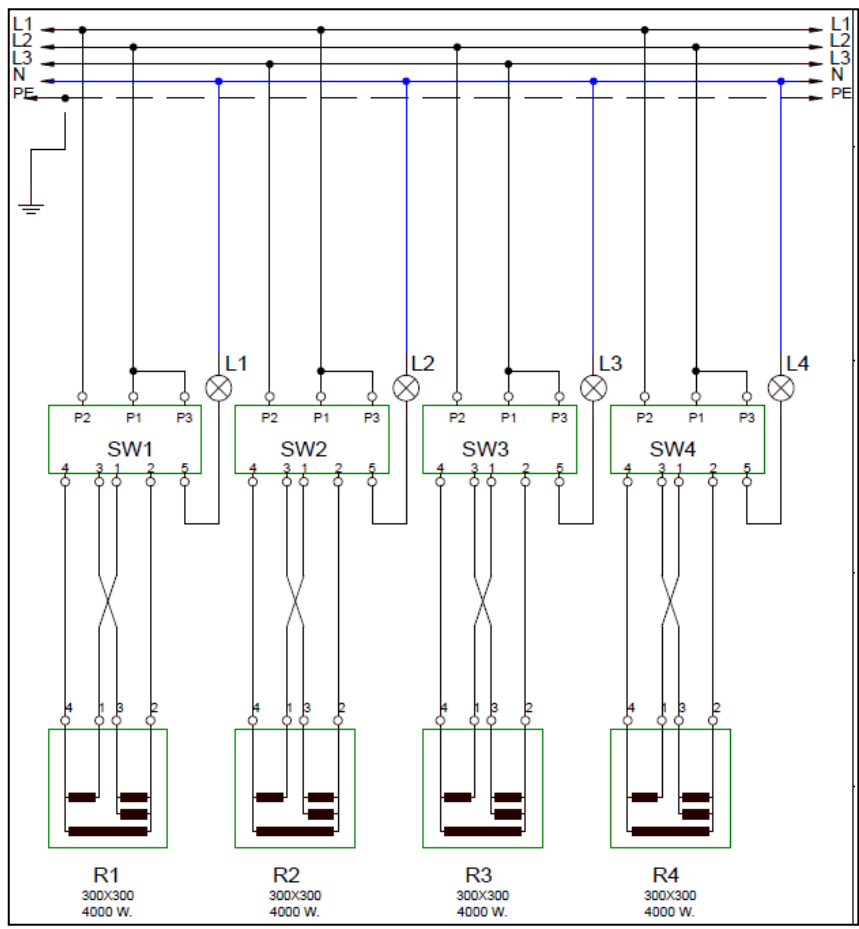


EMP.9KE010

SW1.SW2	R1.R2	L1.L2
6 Gradual Switch	Plate resistance 4000 W 380V	Signal Lamp

# ELECTRIC COOKER / HOT PLATE

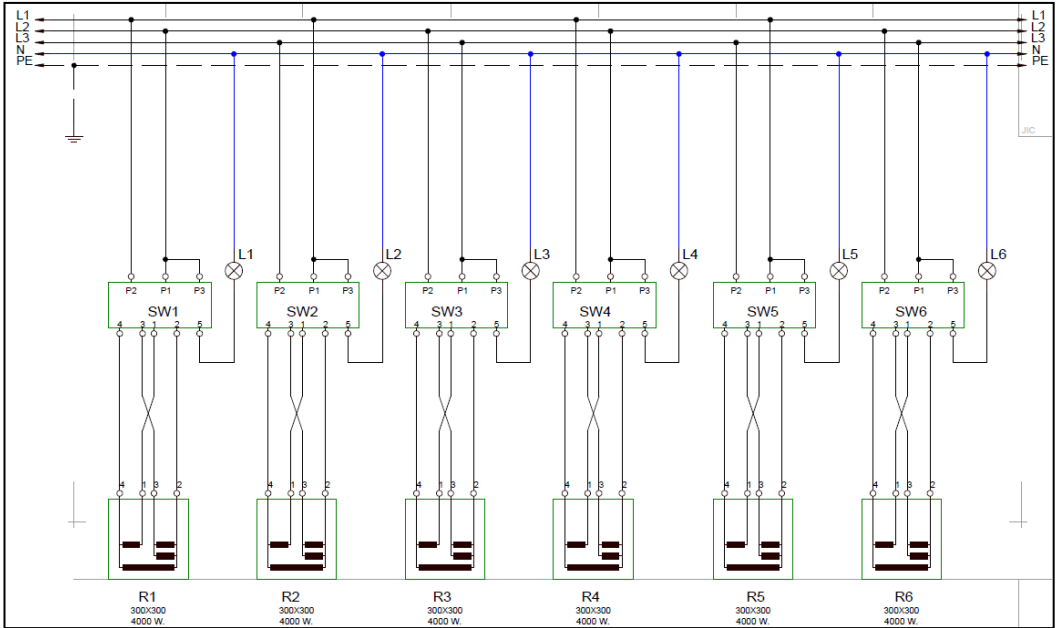
## H ELECTRIC CIRCUIT SCHEMA



EMP.9KE020

SW1.SW2.SW3.SW4	R1.R2.R3.R4	L1.L2.L3.L4
6 Gradual Switch	Plate resistance 4000 W 380V	Switch Signal Lamp

## H ELECTRIC CIRCUIT SCHEMA



EMP.9KE030

R1.R2.R3.R4	R5.R6	SW1.SW2. SW3.SW4	SW5.SW6	L1.L2.L3.L4	L5.L6
Plate resistance 4000 W 380V	Plate resistance 4000 W 380V	6 Gradual Switch	6 Gradual Switch	Signal Lamp	Signal Lamp